



Boreal

SIMPLE AND LONG-LASTING SAND FILTERS

1 BUILT TO LAST

Boreal filters are equipped with a polyester tank reinforced with fibreglass to guarantee **greater resistance for longer life**.

2 EFFECTIVE FILTRATION

Boreal is compatible with various filtration media depending on your requirements: filter glass (Zodiac® Crystal Clear) for **effective filtration at a level of 30 microns**, or traditional sand.

3 EASY MAINTENANCE

Backwashing the filter is easy thanks to the 7-position multiport valve, and even more so with Crystal Clear filter glass, which reduces water consumption. **Maintenance is made easy thanks to the large water drain**.



STURDY



**FINE
FILTRATION**



**EASY
MAINTENANCE**

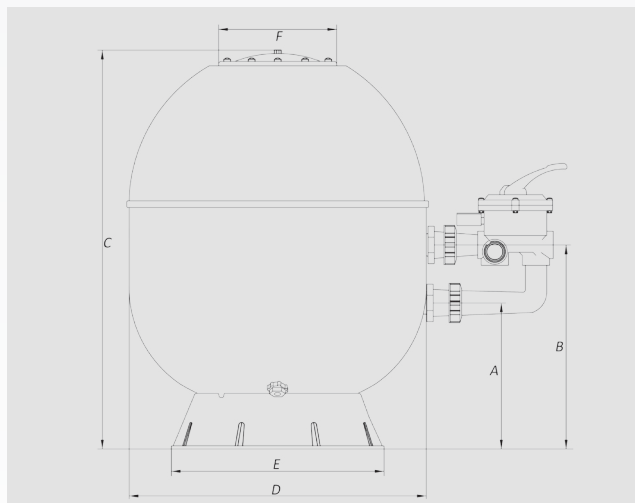
TECHNICAL INFORMATION

	Boreal D400	Boreal D520	Boreal D640	Boreal D760	Boreal D900
Tank diameter (mm)	400	520	640	760	900
Max. flow rate (m ³ /h)*	7.5	10.5	16.0	22.5	31.5
Filter area (m ²)	0.13	0.21	0.32	0.45	0.63
Diameter of threaded connections	1 1/2"	1 1/2"	1 1/2"	2"	2"
Working pressure (bar or kg/cm ²)	0.2 to 0.8 (variable speed pump) / 0.4 to 1.4 (single speed pump)				
Maximum pressure (bar or kg/cm ²)	2.5				

* For a filtration speed of 50 m³/hr/m²

DIMENSIONS

	Boreal D400	Boreal D520	Boreal D640	Boreal D760	Boreal D900
A	235	305	315	365	365
B	360	430	440	505	505
C	676	775	860	900	900
D	400	520	640	760	900
E	458	458	458	605	605
F	300				

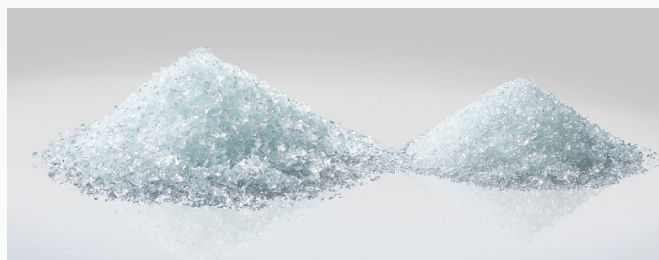


BENEFITS

- 7-position side-mounted multiport valve
- Large double drain tap for water (2.5 cm) and filtration medium (4 cm)

Crystal Clear, FOR CRYSTAL CLEAR WATER

- Made up of 100% of pure glass crystals, this filter glass is more efficient than its more common counterpart, sand. It gives a filter fineness of around 30 microns.
- It provides water savings of up to 75% when washing the filter.



STANDARD FEATURES



Multiport valve



Plumbing kit



Pressure gauge



Screw kit & air relief

FOR WHICH TYPE OF POOLS?

1 ALL TYPES OF SWIMMING POOL



2 POOLS UP TO 170 M³



5 ANS
WARRANTY
ON THE
TANK

3 YEAR
WARRANTY
ON THE
EQUIPMENT